

### RN320P

Ballast Type: Electromagnetic	Starting Method: Rapid Start	Unit Weight: 2.1 lb.
Input Voltage: 120VAC+5%,-10%	Lamp Connection: N/A	Carton Quantity: 20
Input Frequency: 60 Hz.	Unit Color: Black	Skid Quantity: 1080

**ELECTRICAL SPECIFICATION:**

Line Voltage (V)	Lamp Type	Lamp Watts	No. of Lamps	Line Current (A)	Input Power (W)	Power Factor	Max Current THD (%)	Current Crest Factor	Ballast Factor	Wiring Diagram	B.E.F.
120	F32T8 F32T8U	32	1	0.52	33	≥0.53	≤15	≤1.7	0.88	005	2.67

**PERFORMANCE:**

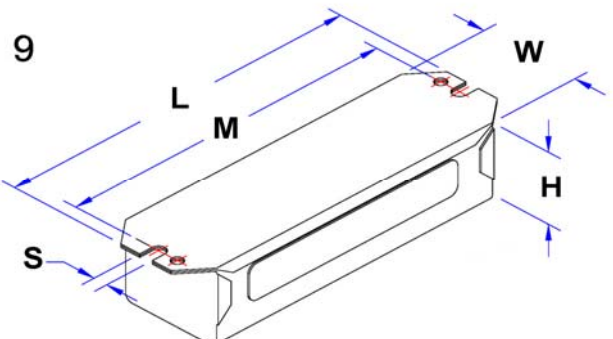
- Electromagnetic lag type ballast
- Normal power factor
- Rapid start
- Sound rated A
- Encased & potted
- Meets ANSI C82.1

**APPLICATION:**

- Maximum case temperature: 194°F/90°C
- Maximum ambient temperature: 104°F/40°C
- Minimum starting temperature: 50°F/10°C
- Remote mounting: 10ft.

**SAFETY:**

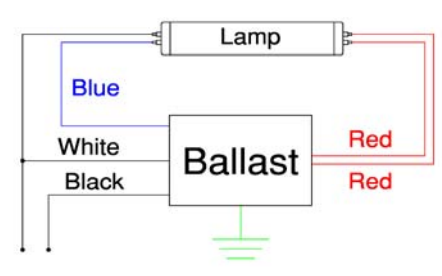
- UL listed (Class P, Type HL, Type 1 outdoor)
- CSA certified (cUL)
- Automatic reset thermal protector
- No PCB's

**STYLE:**


H	W	L	M	S
1 13/32	1 29/32	6 7/16	6	1/4
1.41	1.91	6.44	6.00	0.25
3.58cm	4.85cm	16.36cm	15.24cm	0.64cm

**WIRING DIAGRAM:**

**005**



USE CIRCUIT INTERRUPTING LAMP HOLDER

Standard lead lengths:

• Blk: 10"	• Red: 48"
• Wht: 30"	• Blu: 30"

\* 3/8" Strip

**WARRANTY**

Robertson Worldwide warrants to the purchaser that this ballast will be free from defects in material or workmanship for a period of 2 years from date of manufacture when properly installed and under normal conditions of use. For more information on Robertson Worldwide's ballasts, call 1-800-323-5633 or visit [www.robertsonww.com](http://www.robertsonww.com). Specifications subject to change without notice.

Revised 10/24/06

**ROBERTSON WORLDWIDE**

13611 Thornton Rd, Blue Island, IL 60406, TEL: 1-800-323-5633, FAX: 1-877-388-2420, [www.robertsonww.com](http://www.robertsonww.com)