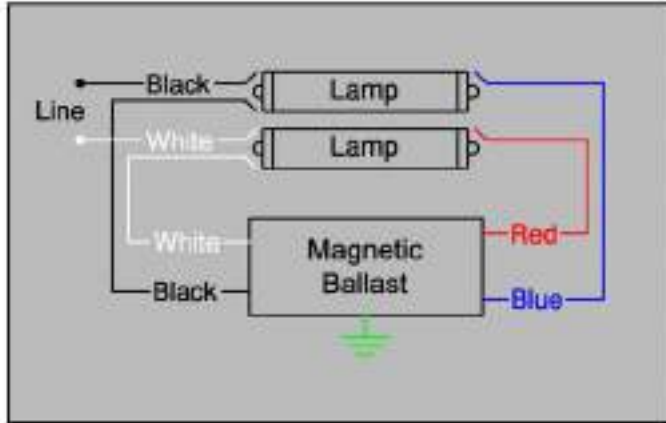


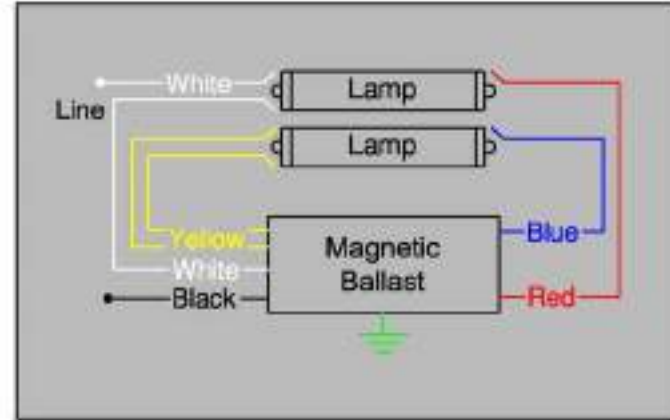
Wiring Diagrams for Retrofitting Magnetic Instant Start Ballasts To Electronic Instant Start Ballasts 120V & 277V

Magnetic Instant Start Wiring Diagram

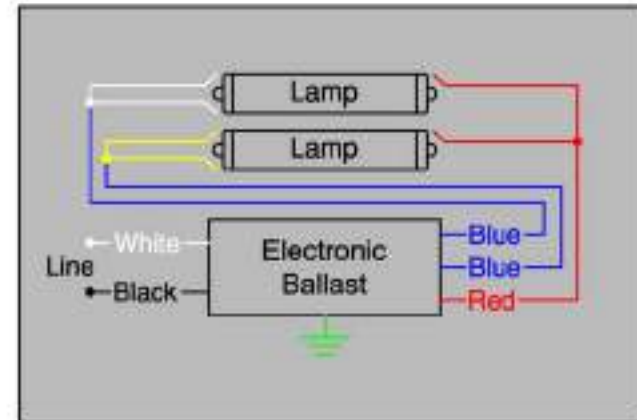
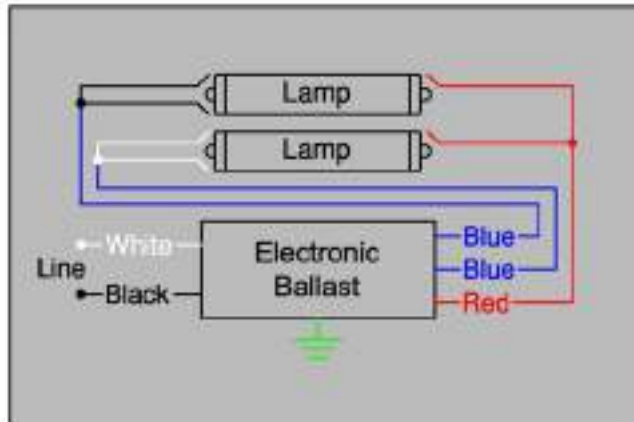
120V



277V



Electronic Instant Start Wiring Diagram



Notes: Applicable for 120V and 277V magnetic T12 to either T8 or T12 electronic fixtures. Always disconnect power to lighting fixture prior to servicing the fixture.